

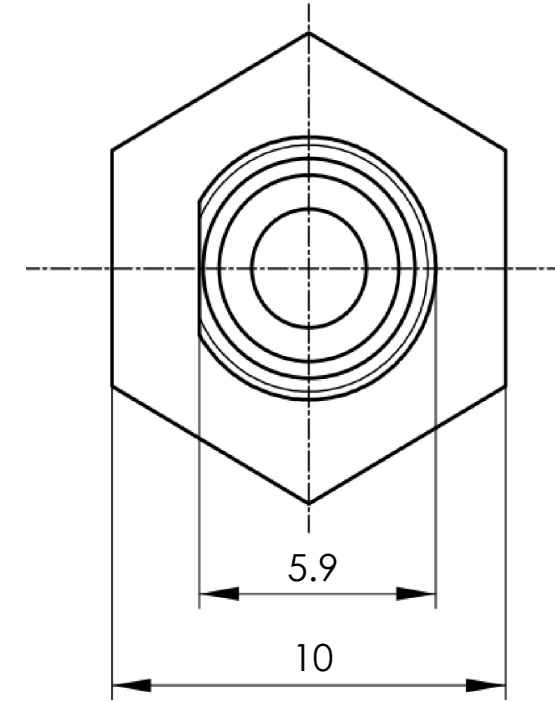
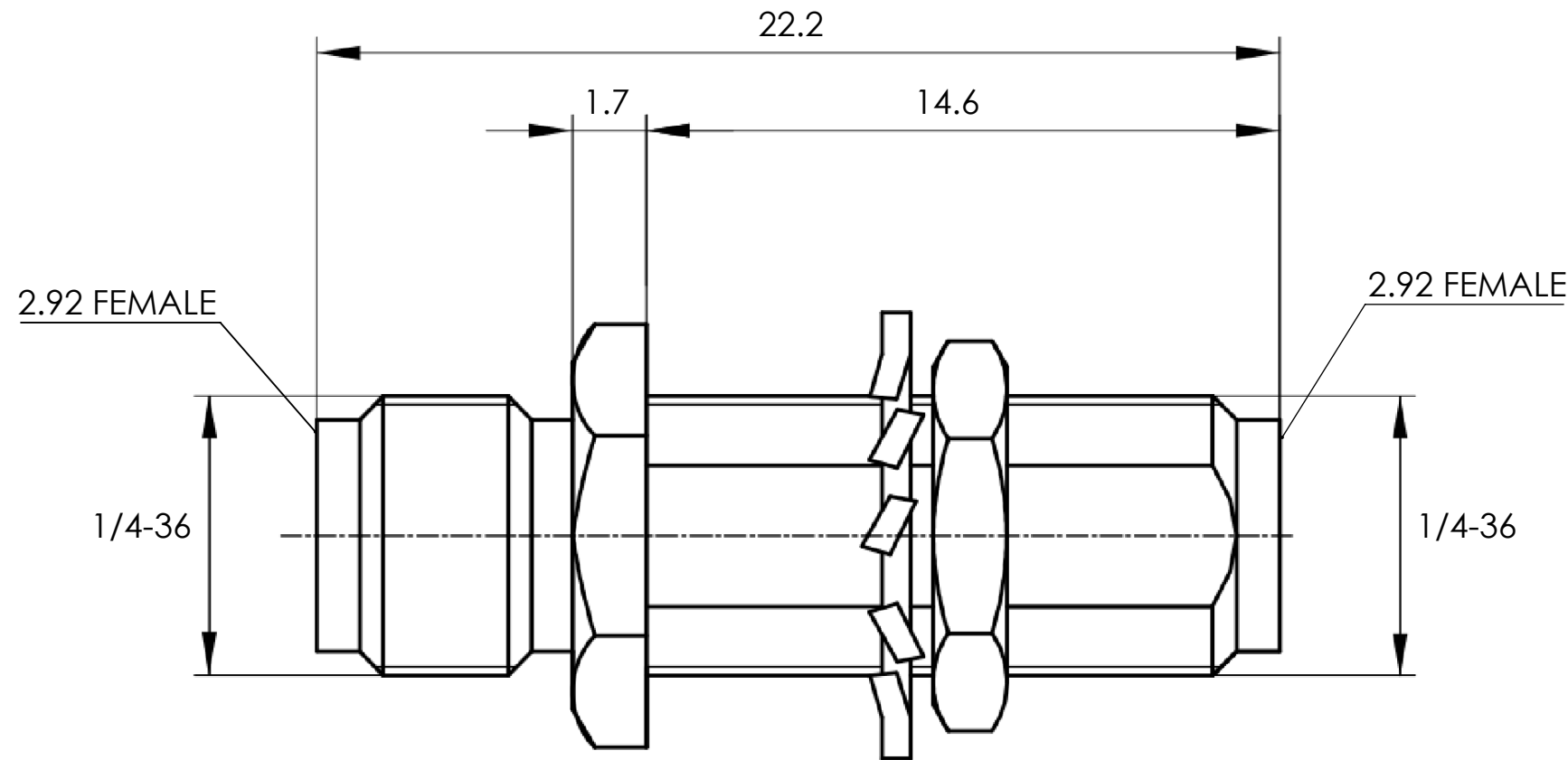
4

3

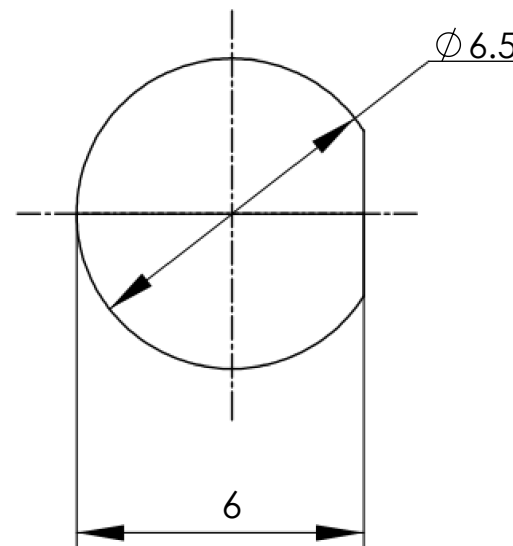
2

1

REVISIONS		
REV.	DESCRIPTION	DATE
1	INITIAL RELEASE	7/18/2020



1. ELECTRICAL:
 - IMPEDENCE 50Ω
 - FREQUENCY DC - 40GHz
 - VSWR 1.20 : 1 MAX
 - INSERTION LOSS 0.3dB MAX
2. MATERIAL:
 - PIN: BERYLLIUM COPPER, GOLD PLATED
 - BODY: SUS 303, PASSIVATED
 - INSULATOR: PEI
3. ENVIRONMENTAL:
 - TEMPERATURE RANGE: -45°C~+125°C
 - MATING CYCLES: >500
 - RoHS COMPLIANT
4. INTERFACE STANDARD:
 - MIL-STD-348A



PROPRIETARY AND CONFIDENTIAL
 THE INFORMATION CONTAINED IN THIS DRAWING IS THE SOLE PROPERTY OF Coax Wizard. ANY REPRODUCTION IN PART OR AS A WHOLE WITHOUT THE WRITTEN PERMISSION OF Coax Wizard IS PROHIBITED.

UNLESS OTHERWISE SPECIFIED:		NAME	DATE
DIMENSIONS ARE IN MM		JX	07/18/20
TOLERANCES:		TC	07/18/20
ANGULAR: MACH ± 1°		QW	07/18/20
BEND ± 1°			
INTEGER ± 3			
ONE PLACE DECIMAL ± 1.0			
TWO PLACE DECIMAL ± 0.50			
INTERPRET GEOMETRIC TOLERANCING PER: ASME Y14.5			
MATERIAL	NA		
FINISH	NA		

COAX WIZARD coaxwizard.com

TITLE: **ADAPTER, 2.92MM FEMALE, 2.92MM FEMALE, STRAIGHT, BULKHEAD**

SIZE	PN. NO.	REV
B	ADP-2.92F-2.92F-SB	1

SCALE: 1:2 WEIGHT: SHEET 1 OF 1

4

3

2

1